

**Micro Speaker**

**Model: OSR1612E-3.2M1.0W7A**



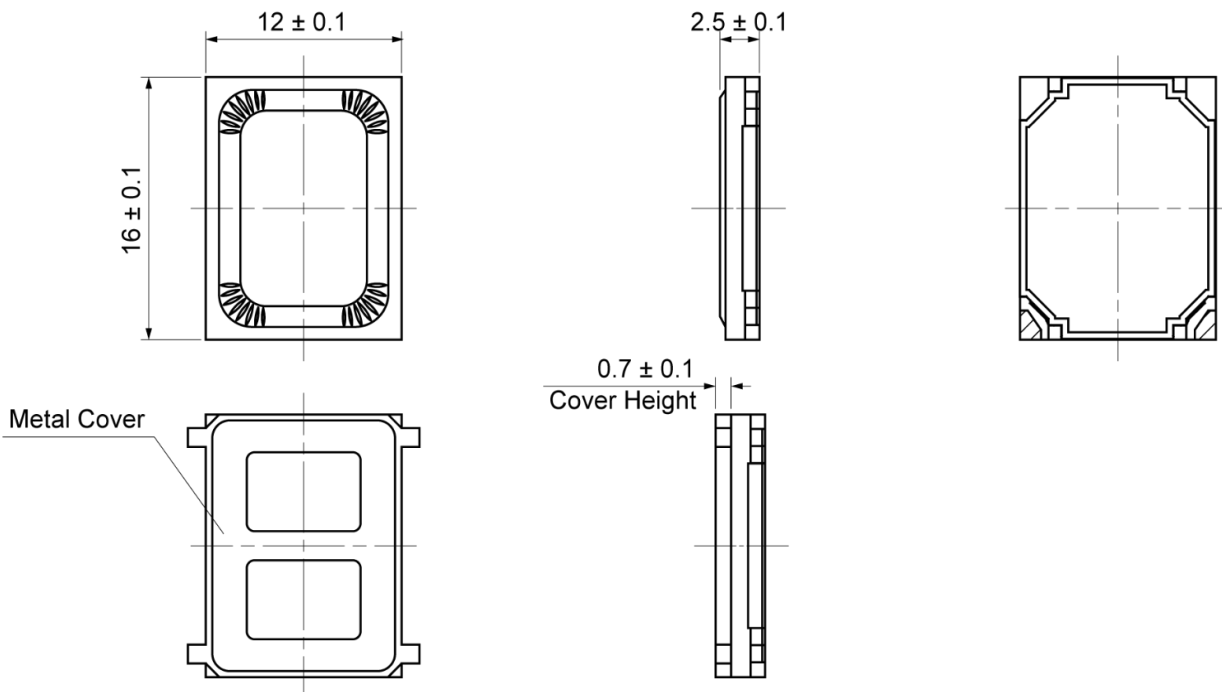
**ELECTRICAL SPECIFICATIONS**

	Condition	Parameter	Unit
Sound Pressure Level	at 1W, 10cm [at 2.0KHz] in 1cc box	96 ± 3	dB
Impedance	at 2.83V, 2000Hz	7 ± 15%	Ω
Rated Input Power		1	W
Max Input Power		1.5	W
Resonant Frequency (Fo)	at 2.83V, 10cm, in 1cc box	880 ± 15%	Hz
Frequency Range		200 ~ 20000	Hz
Buzzer & Rattles	not be audible at sine wave between 300 ~ 5KHz	2.83	V
Operating Temperature		-25 ~ 55	°C
Magnet		Nd-Fe-B	
Frame Material		PPA	
Cone Material		PEEK	
Weight		2	g

**MECHANICAL DRAWING**

Dimensions in mm

Tolerance ±0.2mm Except Specified



**Micro Speaker**

**Model: OSR1612E-3.2M1.0W7A**

**FREQUENCY RESPONSE CURVE**

Testing Condition: 2.83Vrms / 10cm / 1cc box

